



2105



2101



2103



2104

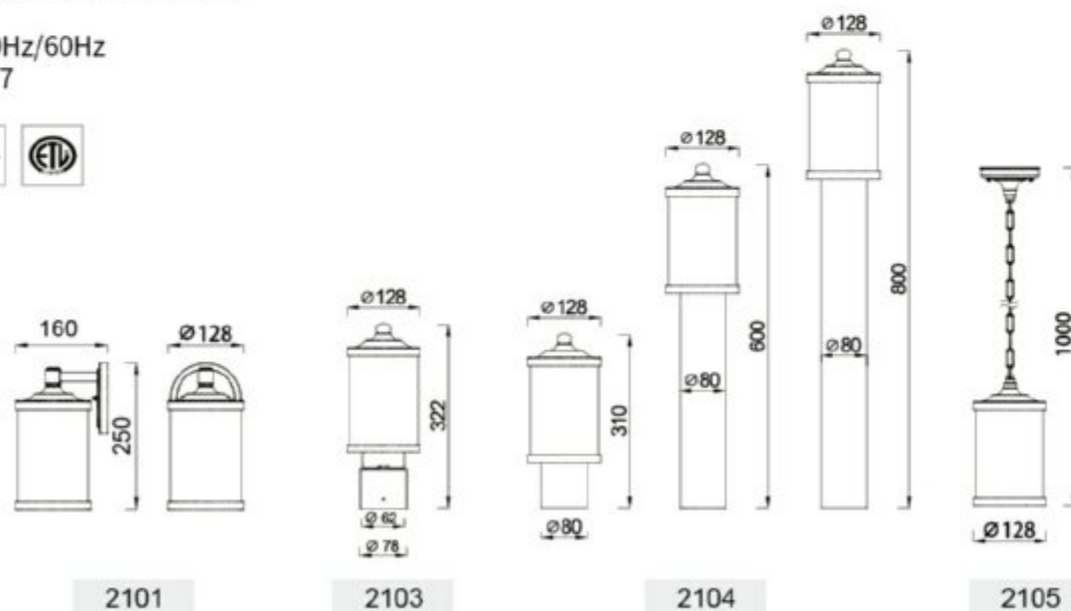


2101A

**Product feature:**

- \*Die Cast Aluminum Body
- \*UV Resistant Powder Coating
- \*Glass diffuser
- \*Brass or Stainless Steel Fasten Parts

110V~240V/AC 50Hz/60Hz  
 Max 60W E26/E27

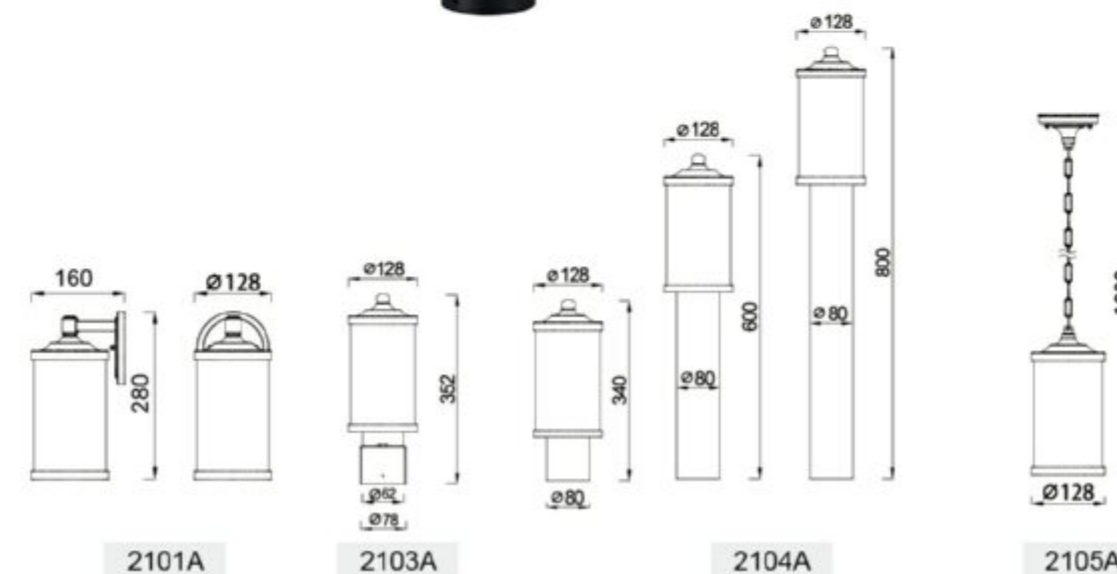


2101

2103

2104

2105



2101A

2103A

2104A

2105A



21012



21012

21014

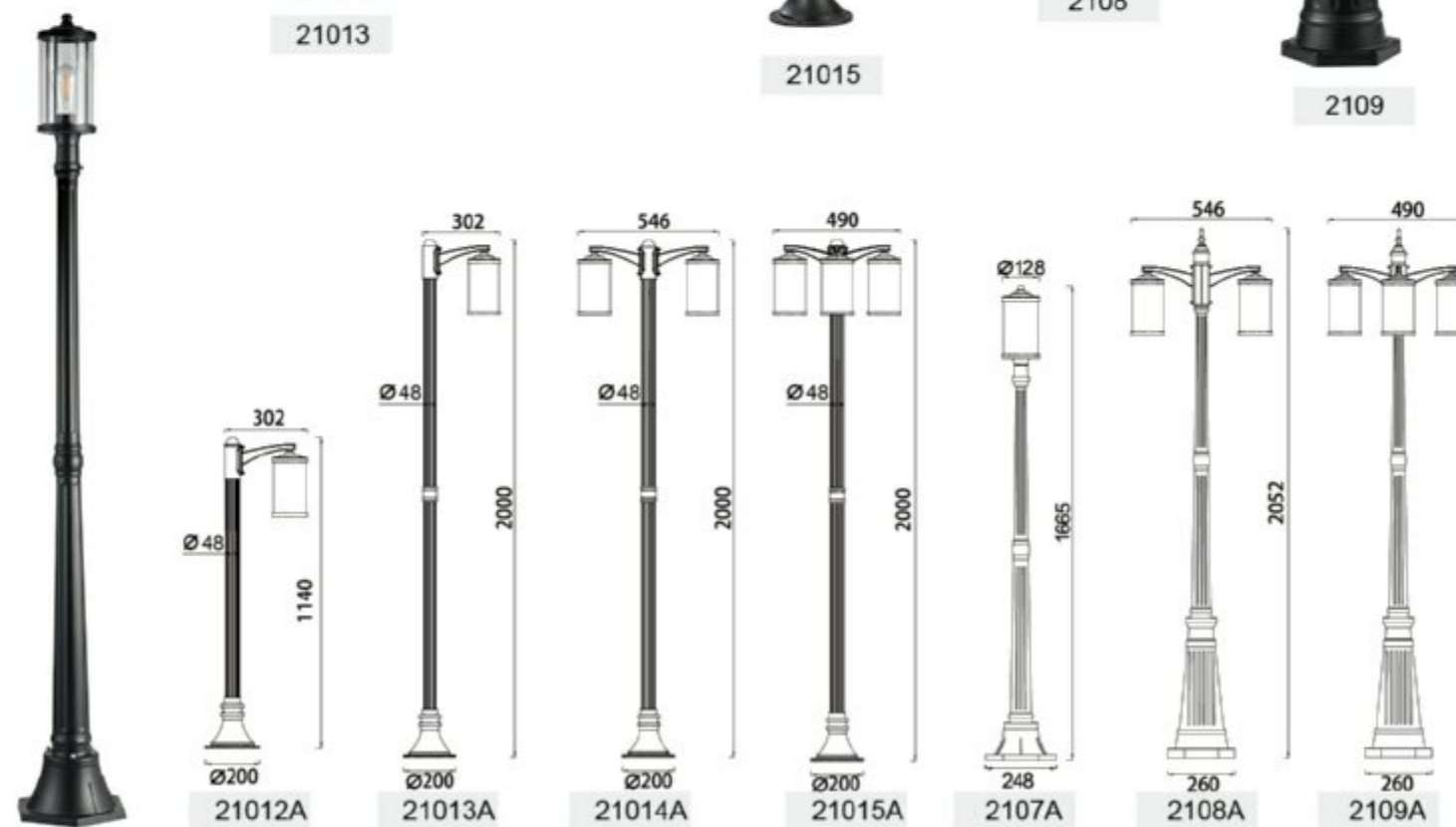
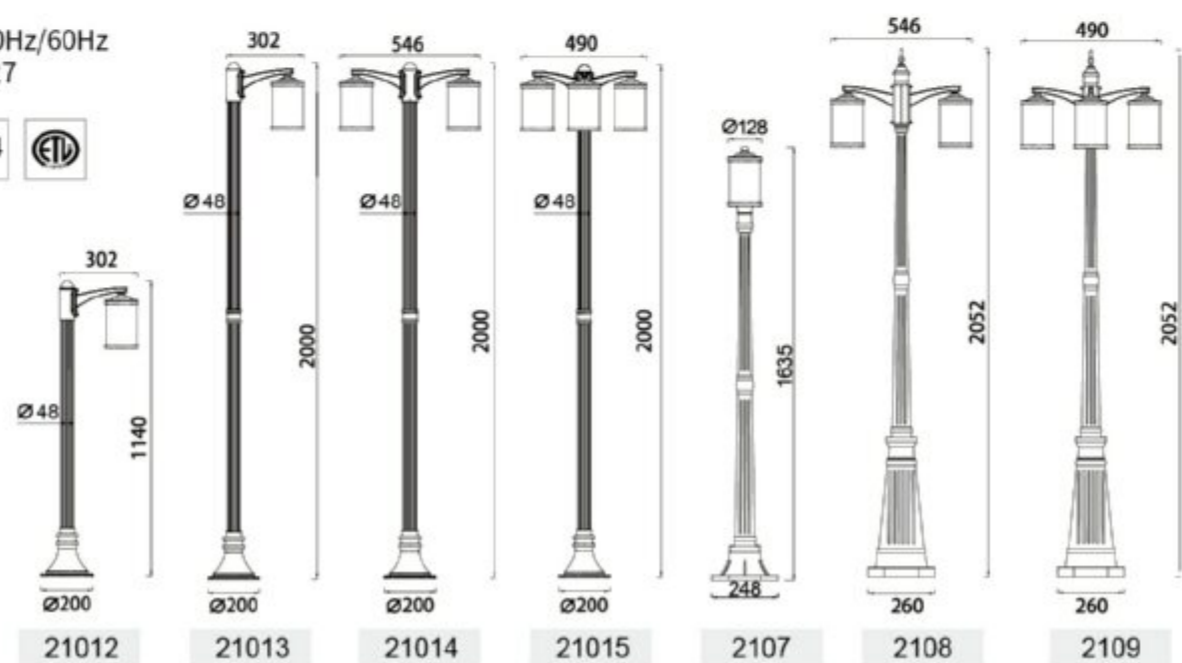
2108

2109

**Product feature:**

- \*Die Cast Aluminum Body
- \*UV Resistant Powder Coating
- \*Glass diffuser
- \*Brass or Stainless Steel Fasten Parts

110V~240V/AC 50Hz/60Hz  
 Max 60W E26/E27



2107A

21012A

21013A

21014A

21015A

2107A

2108A

2109A



2114



2111



2111A



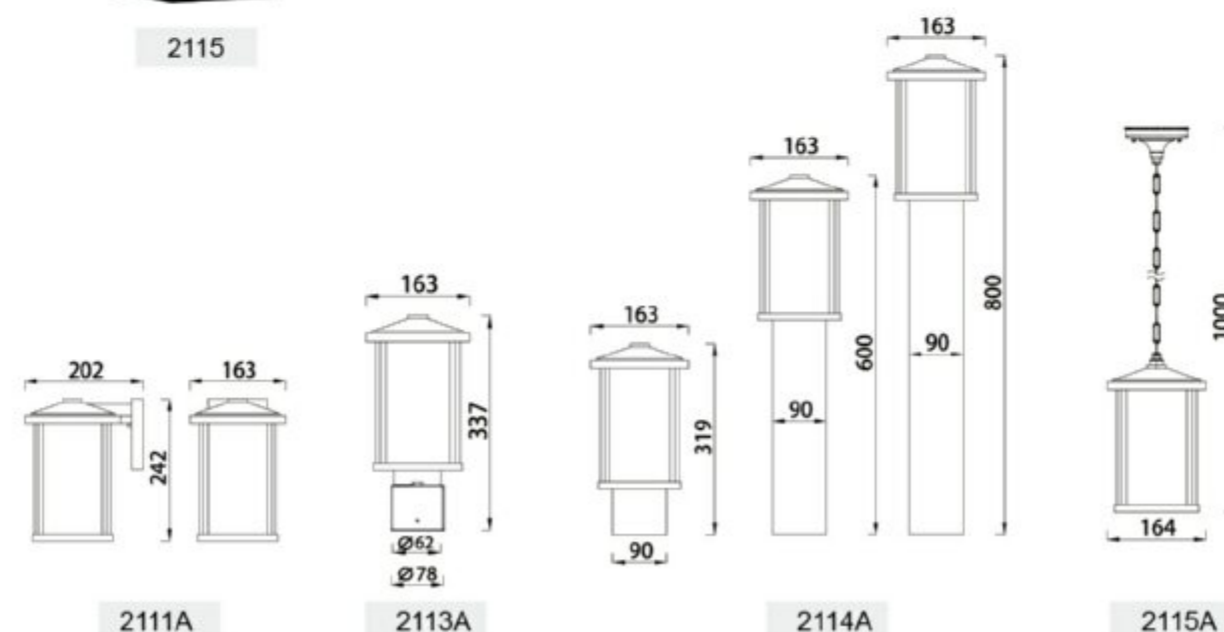
2113



2115



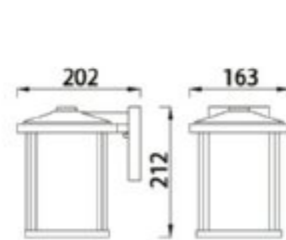
2114



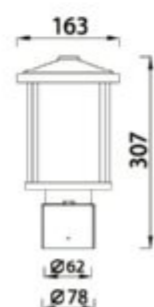
**Product feature:**

- \*Die Cast Aluminum Body
- \*UV Resistant Powder Coating
- \*Glass diffuser
- \*Brass or Stainless Steel Fasten Parts

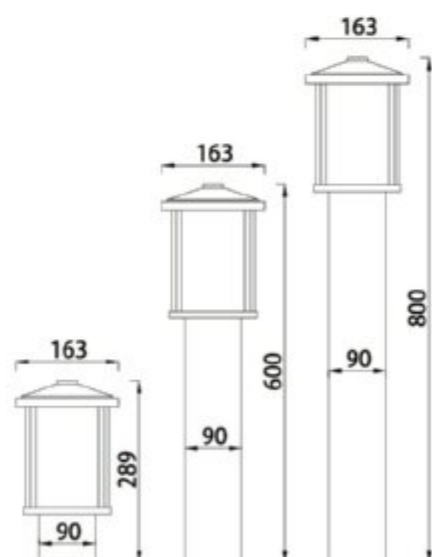
110V~240V/AC 50Hz/60Hz  
 Max 60W E26/E27



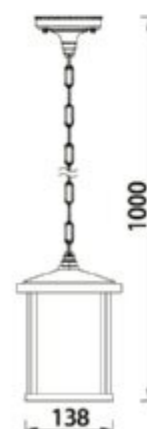
2111



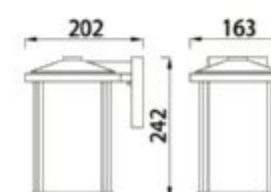
2113



2114



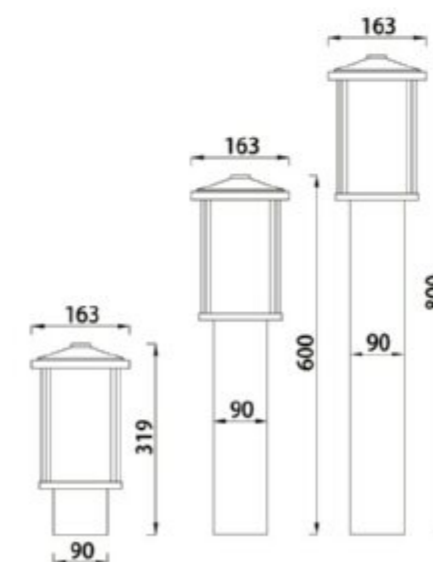
2115



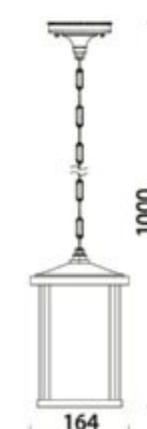
2111A



2113A



2114A



2115A



21114



21112

21113

21114

21115

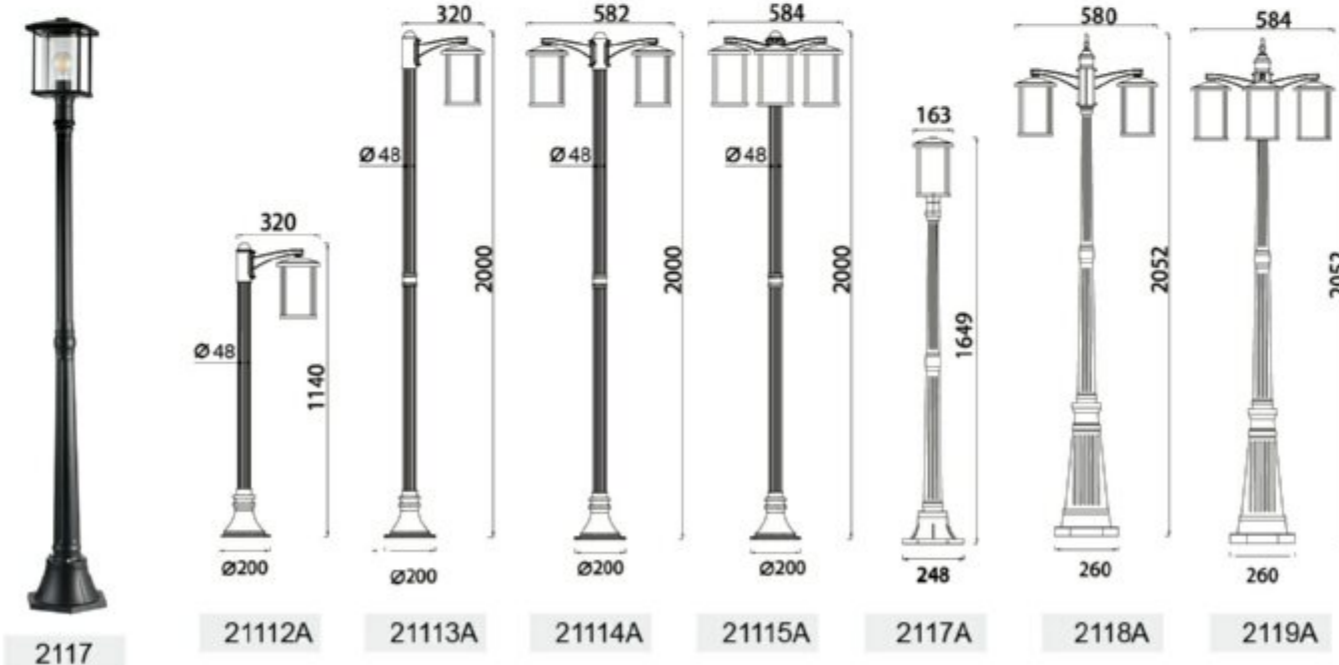
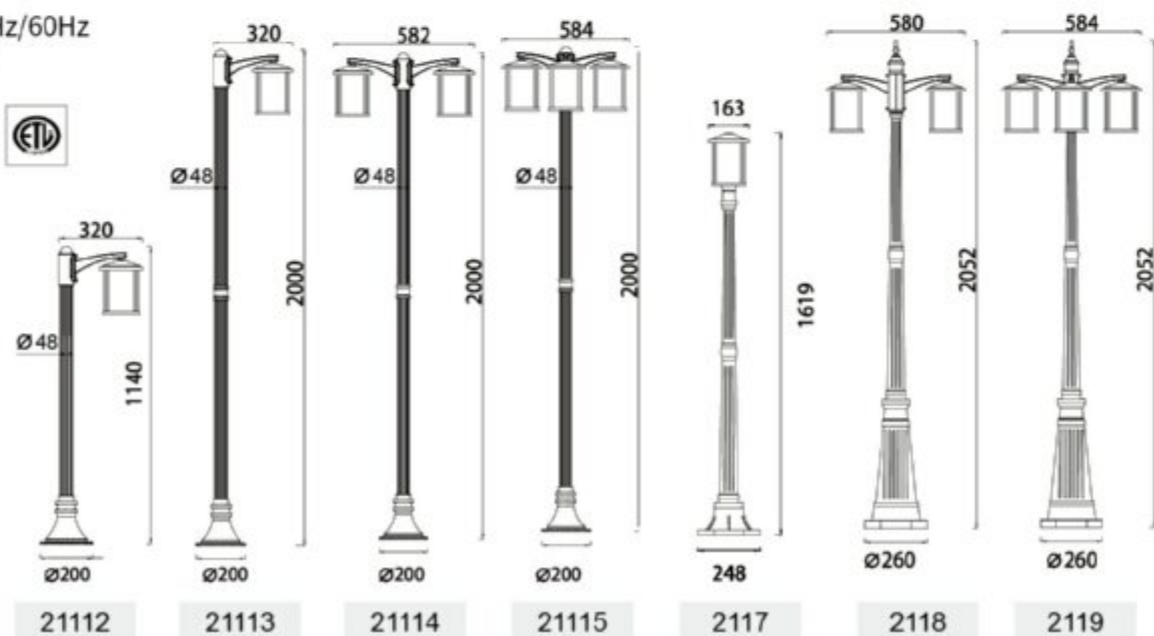
2118

2119

**Product feature:**

- \*Die Cast Aluminum Body
- \*UV Resistant Powder Coating
- \*Glass diffuser
- \*Brass or Stainless Steel Fasten Parts

110V~240V/AC 50Hz/60Hz  
 Max 60W E26/E27





2124



2121



2121



2125



2124

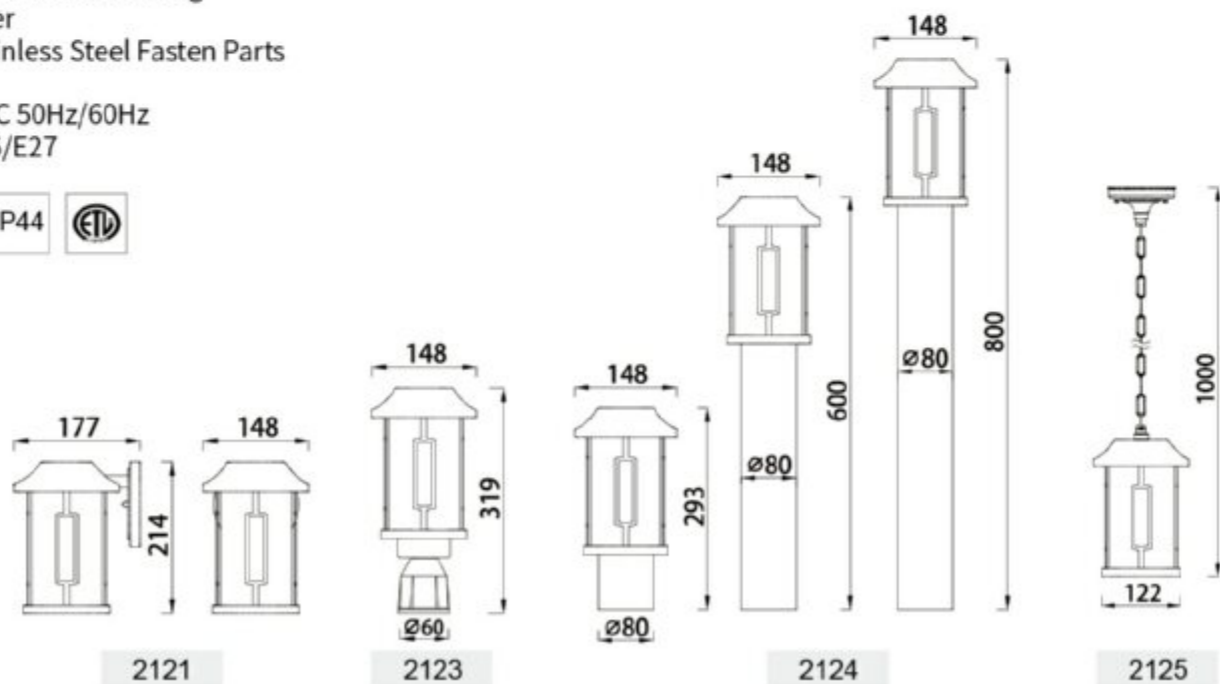


2123

**Product feature:**

- \*Die Cast Aluminum Body
- \*UV Resistant Powder Coating
- \*Glass diffuser
- \*Brass or Stainless Steel Fasten Parts

110V~240V/AC 50Hz/60Hz  
 Max 60W E26/E27



2121

2123

2124

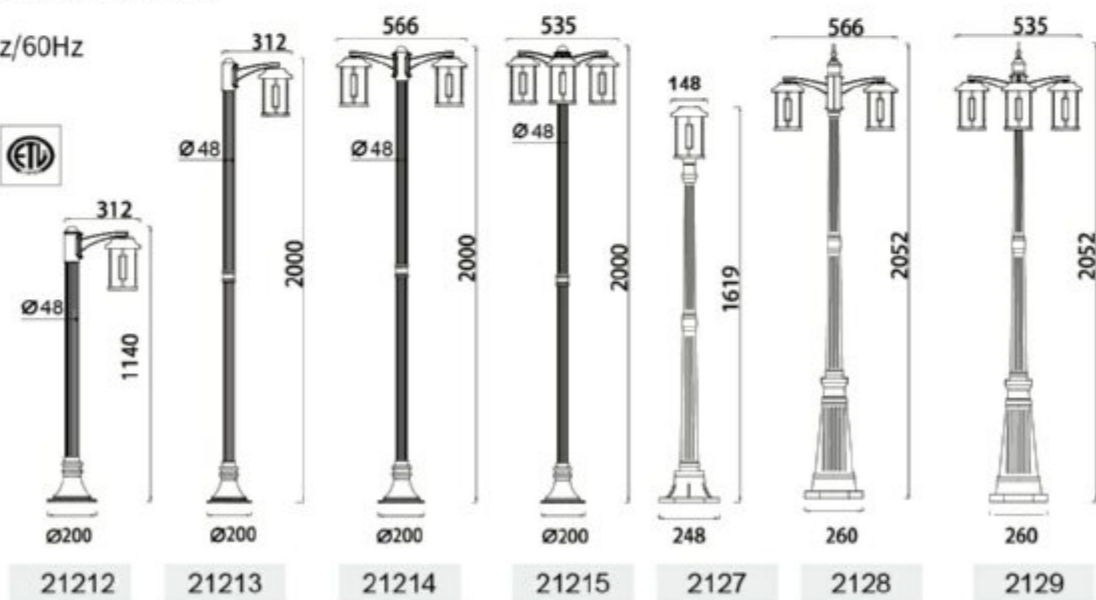
2125



**Product feature:**

- \*Die Cast Aluminum Body
- \*UV Resistant Powder Coating
- \*Glass diffuser
- \*Brass or Stainless Steel Fasten Parts

110V~240V/AC 50Hz/60Hz  
 Max 60W E26/E27





2131



2135



2138

21314

21315

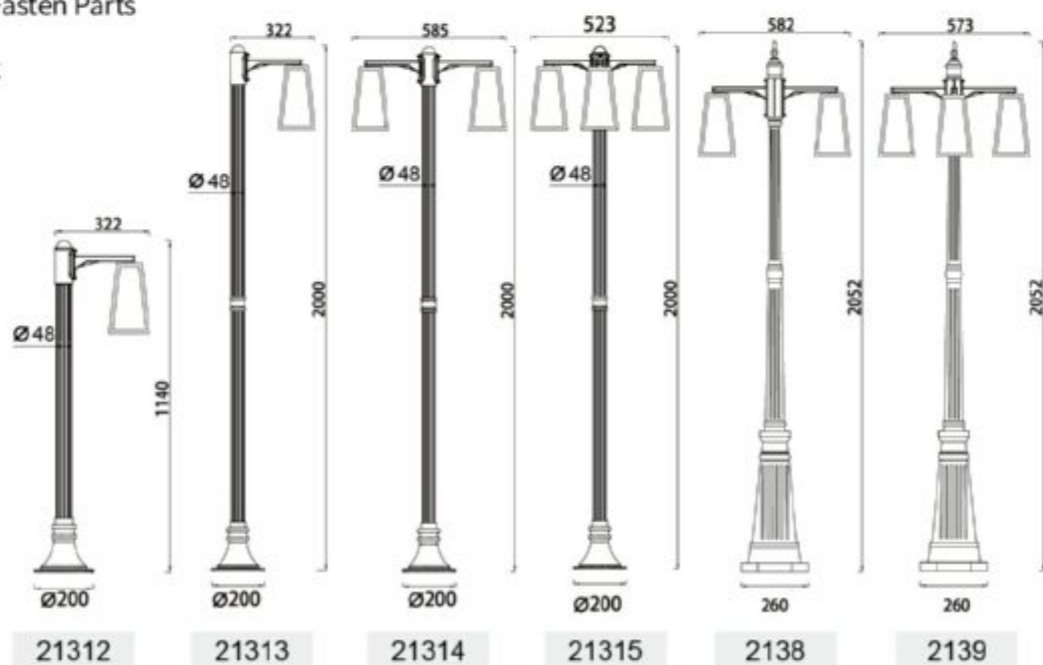
21313

2139

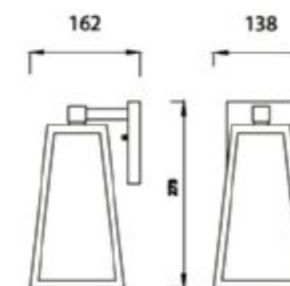
**Product feature:**

- \*Die Cast Aluminum Body
- \*UV Resistant Powder Coating
- \*Glass diffuser
- \*Brass or Stainless Steel Fasten Parts

110V~240V/AC 50Hz/60Hz  
 Max 60W E26/E27



21312



2131



2135



2161A

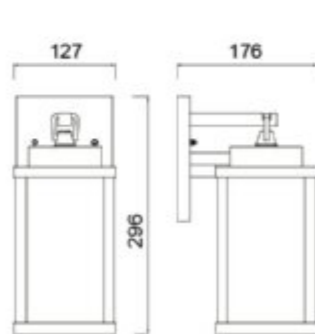
**Product feature:**

- \*Die Cast Aluminum Body
- \*UV Resistant Powder Coating
- \*Glass diffuser
- \*Brass or Stainless Steel Fasten Parts

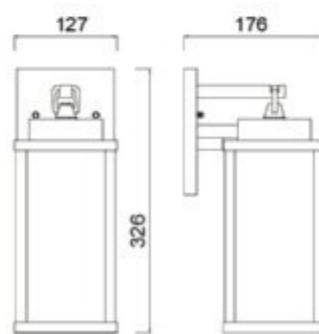
110V~240V/AC 50Hz/60Hz  
 Max 60W E26/E27



2161



2161



2161A



2181

**Product feature:**

- \*Die Cast Aluminum Body
- \*UV Resistant Powder Coating
- \*Glass diffuser
- \*Brass or Stainless Steel Fasten Parts

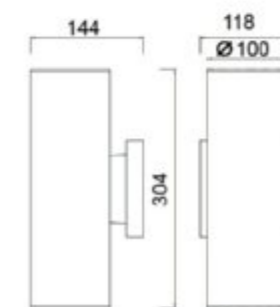
110V~240V/AC 50Hz/60Hz  
 Max 60W E26/E27



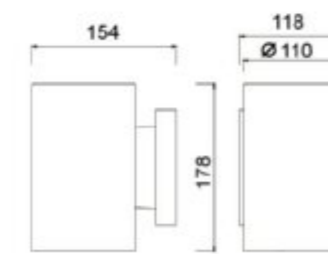
2191



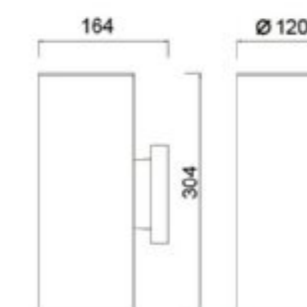
2171



2171



2181



2191