

Add: No. CN6, Yuandong Industrial Zone, Yuyao, Zhejiang, China

Tel: 0086-574-62760092 62760098 62760099

Fax: 0086-574-62760097

E-Mail: Jane@fourstarlamps.com Janefsl@163.com

Alice@fourstarlamps.com Alice.3@163.com

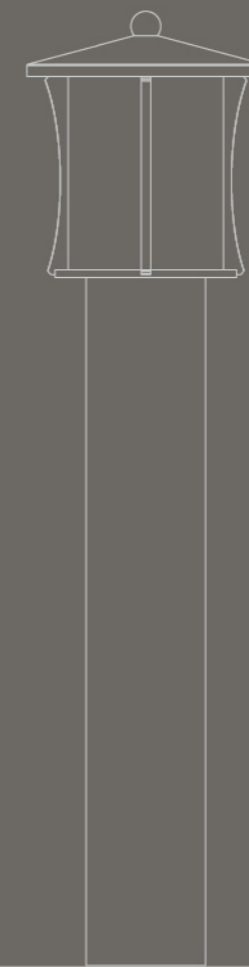
<http://www.chinalamp.com>

<http://www.fourstarlamps.com>



★  
★  
★  
★  
FOUR STAR LAMPS VERSION A-1

 余姚市四星灯具有限公司  
YUYAO FOUR STAR LAMPS CO.,LTD.





## COMPANY PROFILE

Yuyao Four Star Lamps Co.,Ltd. is a company specializing in the production of outdoor lighting with artwork aluminum die casting, stamping and extrusion of aluminum, copper and stainless steel material.

Our company has the self-management of import and export rights. We have the capacity to complete the whole manufacturing process of lamps. Now there are 12 units of 500 t, 250 t, 160 t die-casting machines etc., 2 powder coating curing and 6 final assembly lines , annual production capacity of aluminum alloy die casting, copper alloy die-casting, zinc alloy die casting hydraulic tensile, spinning forming, cold punching forming of moisture-proof lamps and lanterns, the courtyard lamps, lawn lamps and accessories more than 400 sets.

The company since its establishment, has accumulated rich production experience and technical ability, complete production equipment, exquisite process operation. Our company has the ROHS testing equipment to control production quality, and quality inspector team monitor carefully from the product material, accessories to make sure the high guarantee of quality. Our products have CE/ETL certification and China CCC certification.

Four Star gathered a batch of outstanding talent, strong team ensures Four Star management and the production efficiency.

Four Star insist to protect the intellectual property rights of clients, focus on cooperation with domestic and foreign customers to map, sample products, joint investment, joint development market, with good reputation and sincere service, we have cooperated with the companies from the United States, Germany and Japan who do OEM/ODM for many years.

You are welcome to contact us, become one of our partners.



1701



1715



1704

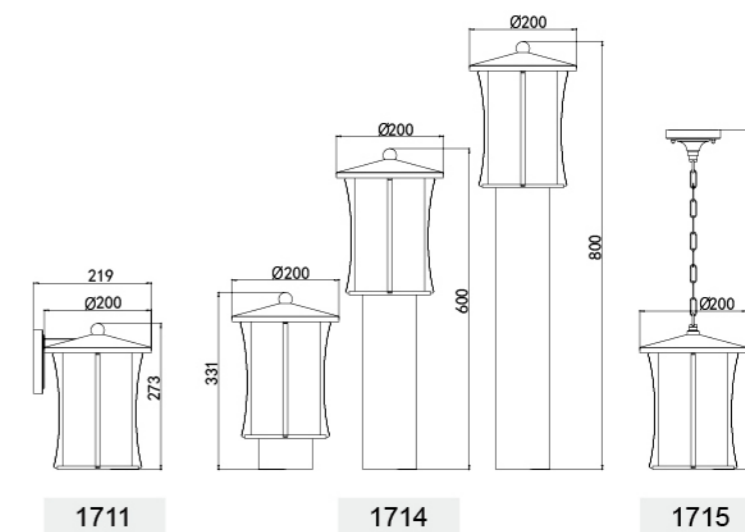
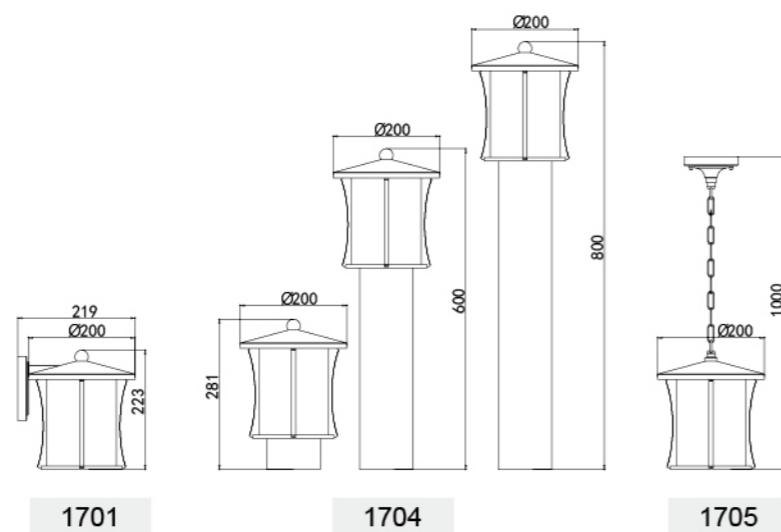
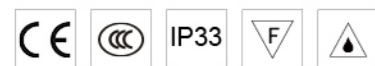
1714

1714

**Product feature:**

- \*Die Cast Aluminum Body
- \*UV Resistant Powder Coating
- \*Glass diffuser
- \*Brass or Stainless Steel Fasten Parts

220V~240V/AC 50Hz  
 Max 25W E27





1731



1734

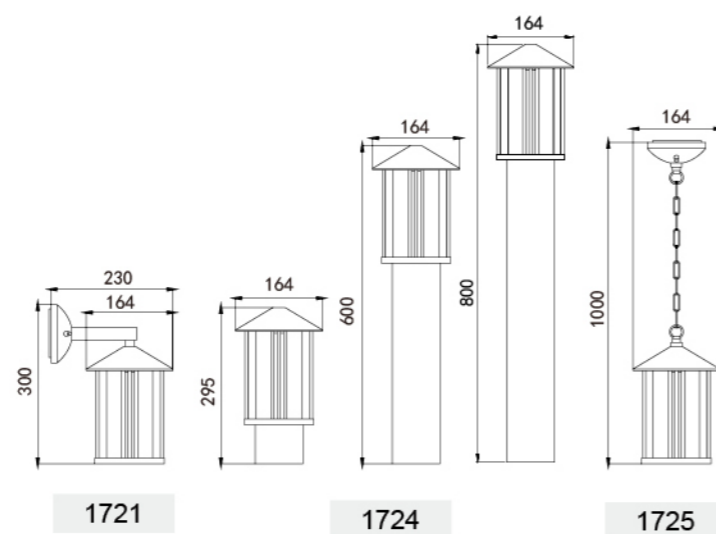
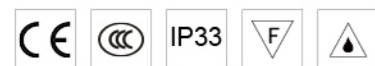
1724

1734

**Product feature:**

- \*Die Cast Aluminum Body
- \*UV Resistant Powder Coating
- \*Glass diffuser
- \*Brass or Stainless Steel Fasten Parts

220V~240V/AC 50Hz  
 Max 25W E27



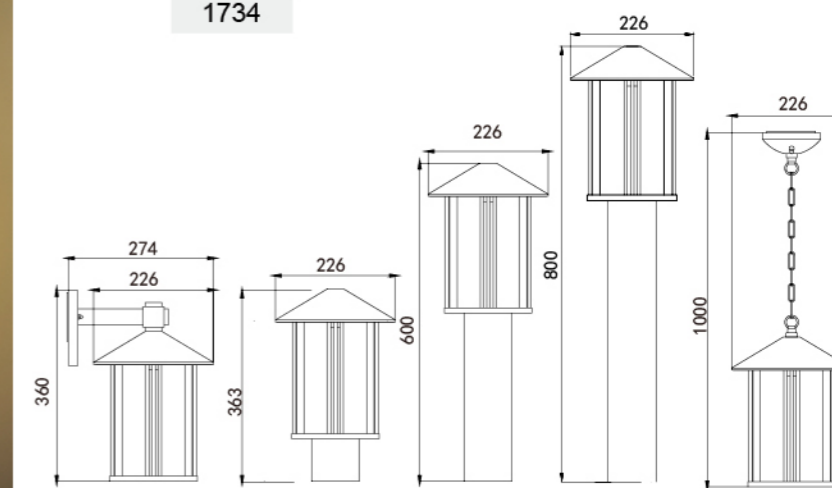
1721

1724

1725



1725



1731

1734

1735



1741L



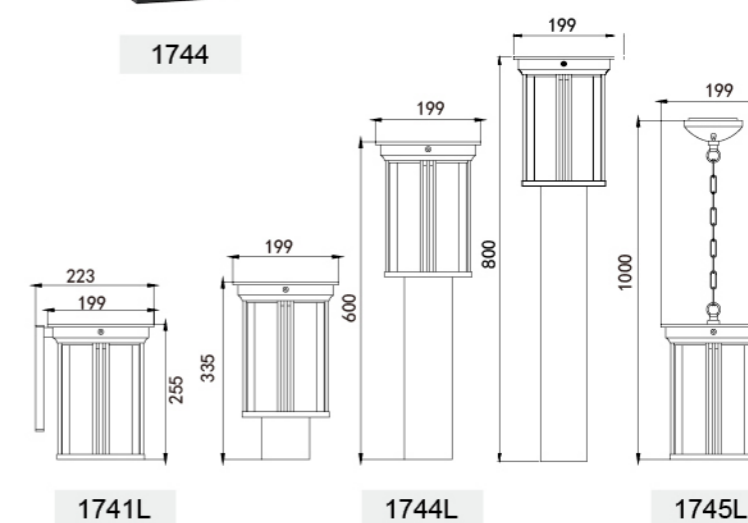
1744

1744L

1744



1745



1741L

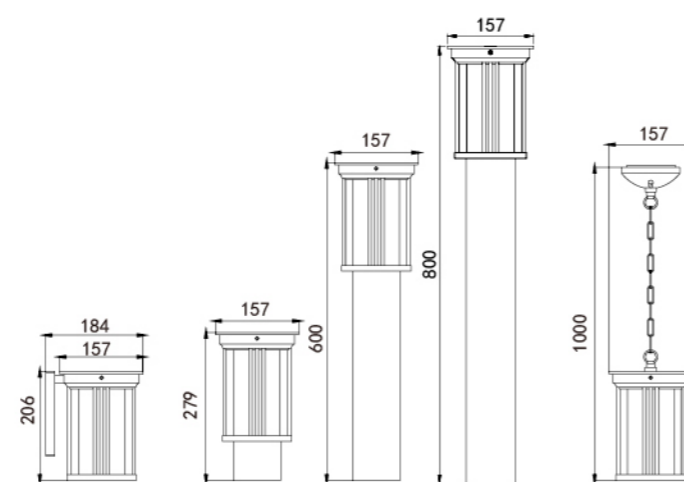
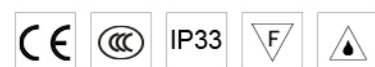
1744L

1745L

**Product feature:**

- \*Die Cast Aluminum Body
- \*UV Resistant Powder Coating
- \*Glass diffuser
- \*Brass or Stainless Steel Fasten Parts

220V~240V/AC 50Hz  
 Max 25W E27



1741

1744

1745



1751



1754

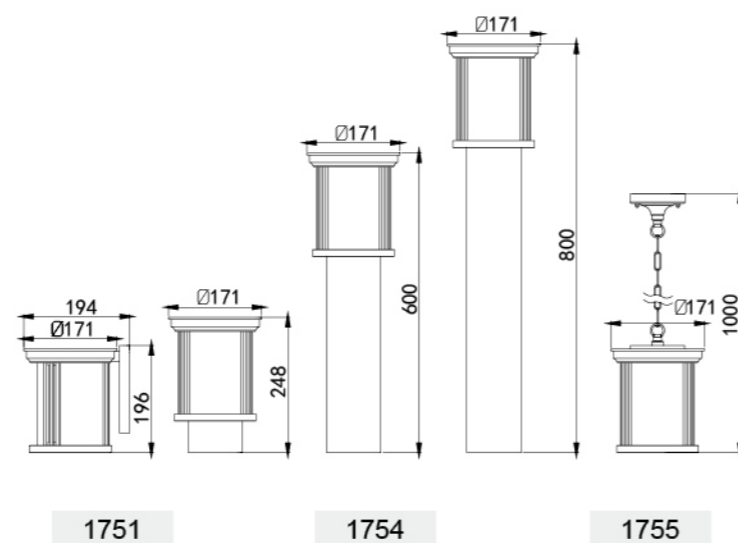
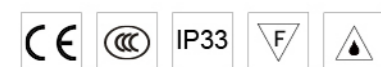
1754

1754

**Product feature:**

- \*Die Cast Aluminum Body
- \*UV Resistant Powder Coating
- \*Glass diffuser
- \*Brass or Stainless Steel Fasten Parts

220V~240V/AC 50Hz  
 Max 25W E27



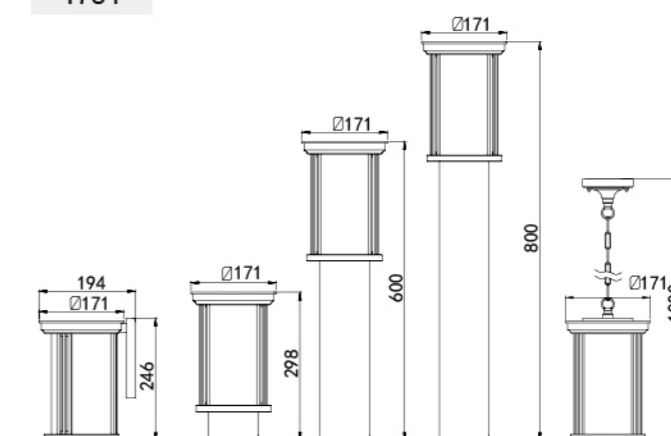
1751

1754

1755



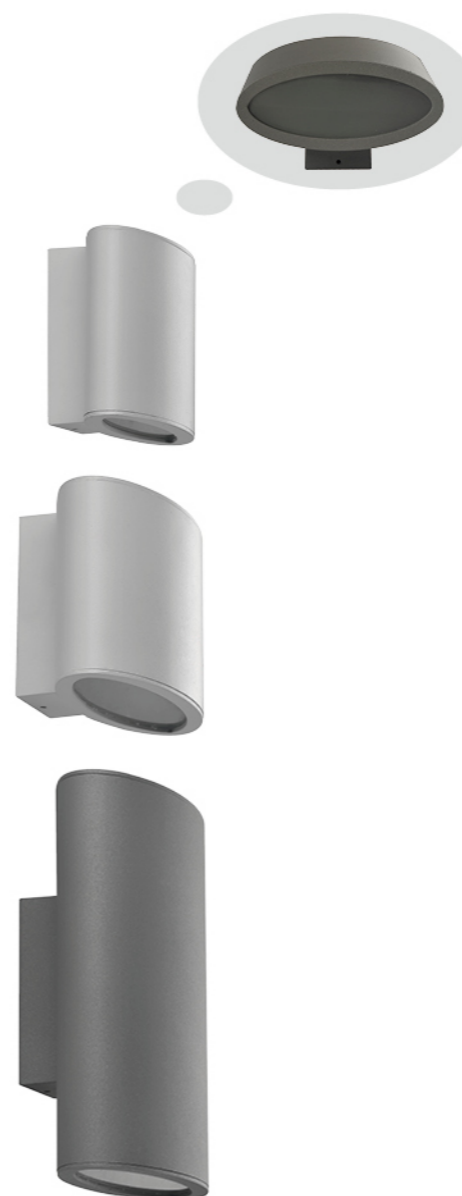
1755



1751A

1751A

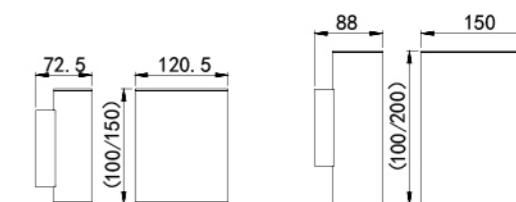
1751A



Item No.	Watt	Kelvin	Luminous flux	CRI	Input	Power factor	Safety type
1781	3WX2(OSRAM)	3000k	241lm	81	200~240V 50Hz	0.5	IP44
1781L	3WX2(OSRAM)	3000k	235lm	83	200~240V 50Hz	0.5	IP44
1781L	GU10				200~240V 50Hz		IP44

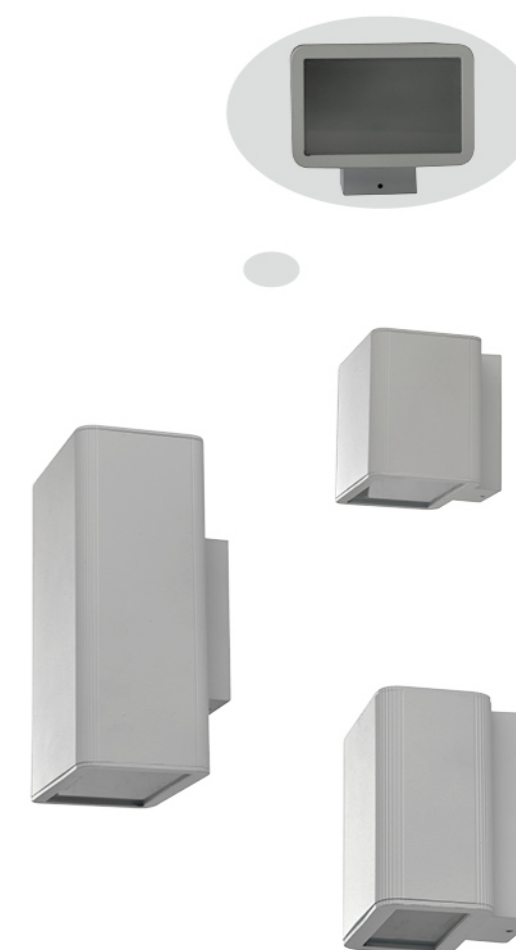
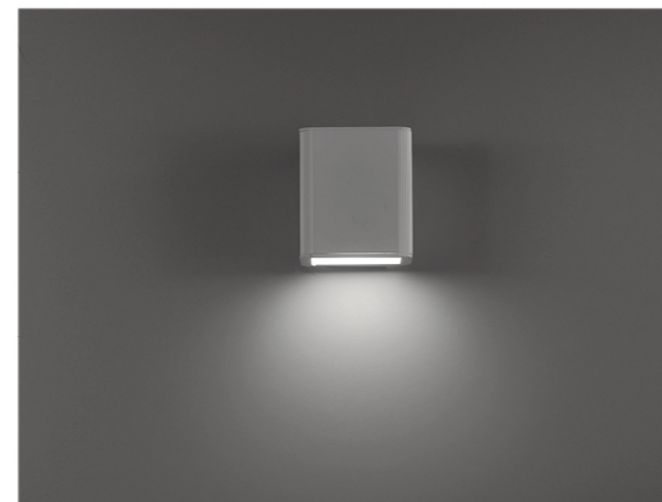
**Product feature:**

- \*Die Cast Aluminum Body
- \*UV Resistant Powder Coating
- \*Glass diffuser
- \*Brass or Stainless Steel Fasten Parts



1781

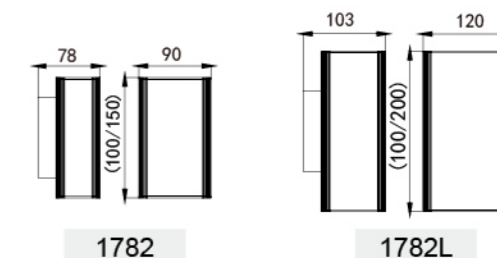
1781L



Item No.	Watt	Kelvin	Luminous flux	CRI	Input	Power factor	Safety type
1782	3WX2(OSRAM)	3000k	243lm	81	200~240V 50Hz	0.5	IP44
1782L	3WX2(OSRAM)	3000k	233lm	84	200~240V 50Hz	0.5	IP44
1782L	GU10				200~240V 50Hz		IP44

**Product feature:**

- \*Die Cast Aluminum Body
- \*UV Resistant Powder Coating
- \*Glass diffuser
- \*Brass or Stainless Steel Fasten Parts



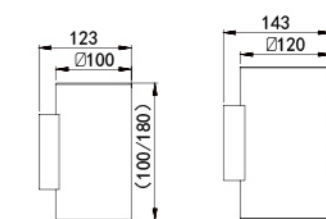




Item No.	Watt	Kelvin	Luminous flux	CRI	Input	Power factor	Safety type
1783	3WX2(SEOUL)	3000k	210lm	81	200~240V 50Hz	0.5	IP44
1783	GU10				200~240V 50Hz		IP44
1783L	3WX2(SEOUL)	3000k	223lm	86	200~240V 50Hz	0.5	IP44
1783L	GU10				200~240V 50Hz		IP44

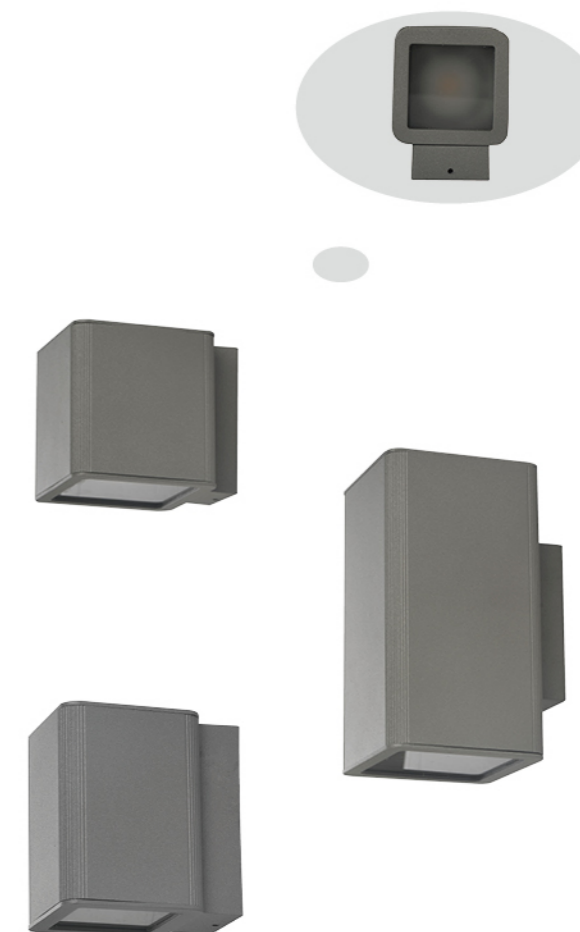
**Product feature:**

- \*Die Cast Aluminum Body
- \*UV Resistant Powder Coating
- \*Glass diffuser
- \*Brass or Stainless Steel Fasten Parts



1783

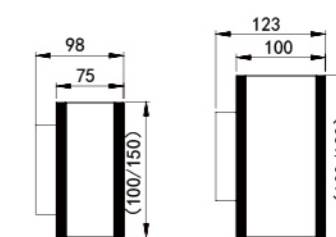
1783L



Item No.	Watt	Kelvin	Luminous flux	CRI	Input	Power factor	Safety type
1784	3WX2(SEOUL)	3000k	224lm	78	200~240V 50Hz	0.5	IP44
1784	GU10				200~240V 50Hz		IP44
1784L	3WX2(SEOUL)	3000k	238lm	80	200~240V 50Hz	0.5	IP44
1784L	GU10				200~240V 50Hz		IP44

**Product feature:**

- \*Die Cast Aluminum Body
- \*UV Resistant Powder Coating
- \*Glass diffuser
- \*Brass or Stainless Steel Fasten Parts

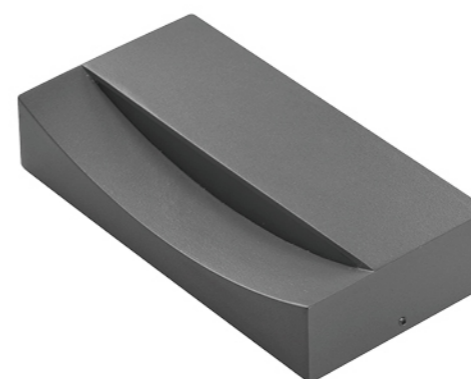


1784

1784L



1787



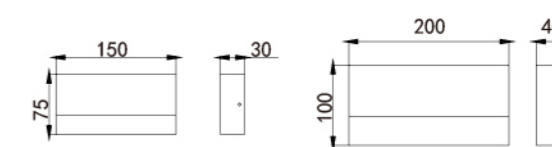
1787L



Item No.	Watt	Kelvin	Luminous flux	CRI	Input	Power factor	Safety type
1787	3W(SEOUL)	3000k	108lm	82	200~240V 50Hz	0.5	IP54
1787L	5W(SEOUL)	3000k	309lm	81	200~240V 50Hz	0.5	IP54

**Product feature:**

- \*Die Cast Aluminum Body
- \*UV Resistant Powder Coating
- \*Glass diffuser
- \*Brass or Stainless Steel Fasten Parts



1787

1787L





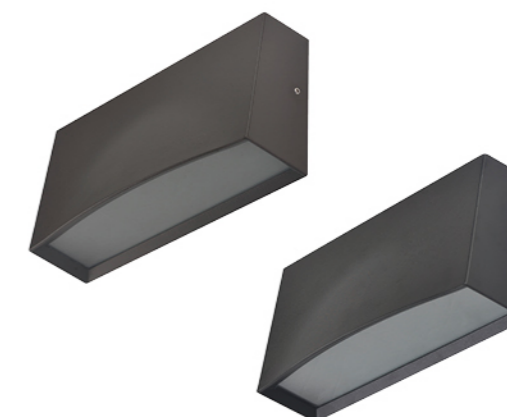
1788



1789



1788

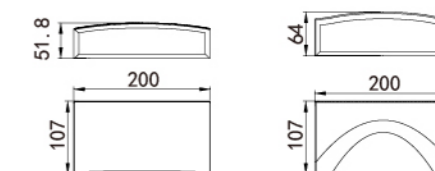


1789

Item No.	Watt	Kelvin	Luminous flux	CRI	Input	Power factor	Safety type
1788	5W(OSRAM)	3000k	199lm	81	200~240V 50Hz	0.5	IP44
1789	5W(OSRAM)	3000k	196lm	83	200~240V 50Hz	0.5	IP44

**Product feature:**

- \*Die Cast Aluminum Body
- \*UV Resistant Powder Coating
- \*Glass diffuser
- \*Brass or Stainless Steel Fasten Parts



1788

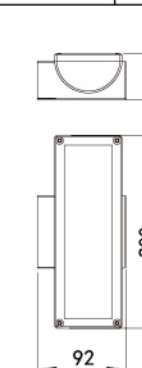
1789

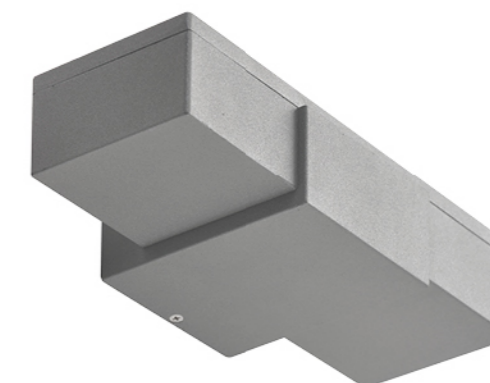


Item No.	Watt	Kelvin	Luminous flux	CRI	Input	Power factor	Safety type
1791	5W(OSRAM)	3000k	271lm	79	200~240V 50Hz	0.5	IP54

**Product feature:**

- \*Die Cast Aluminum Body
- \*UV Resistant Powder Coating
- \*Glass diffuser
- \*Brass or Stainless Steel Fasten Parts





Item No.	Watt	Kelvin	Luminous flux	CRI	Input	Power factor	Safety type
1792	5W(OSRAM)	3000k	280lm	85	200~240V 50Hz	0.5	IP54

**Product feature:**

- \*Die Cast Aluminum Body
- \*UV Resistant Powder Coating
- \*Glass diffuser
- \*Brass or Stainless Steel Fasten Parts

